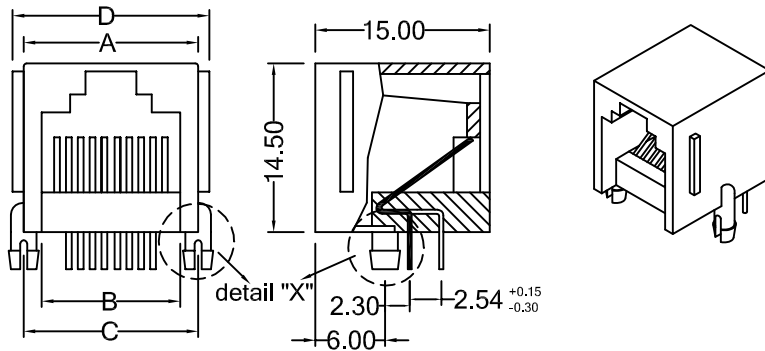
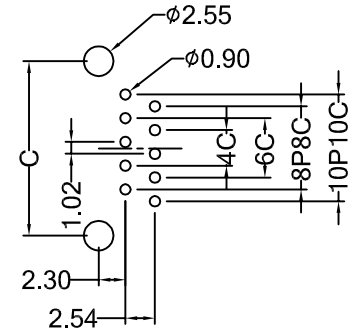


Part Number: 627



position	conductor	A	B	C	D
4P	4C	10.00	7.85	10.00	12.00
(6P)4P	4C	12.20	7.85	12.00	14.20
6P	2C/4C/6C	12.20	9.90	12.00	14.20
8P	8C	15.00	11.85	15.00	16.90
10P	10C	15.00	11.85	15.00	16.90

UNIT: m / m
TOL.: +/- 0.15



PCB LAYOUT / TOP VIEW

MATERIAL & FINISH

Housing: PBT. UL94V-0, gray or black
 Insert: PBT. UL94V-0, (4P,6P:black)(8P,10P:gray)
 Dust Cover: PBT UL94V-0, black

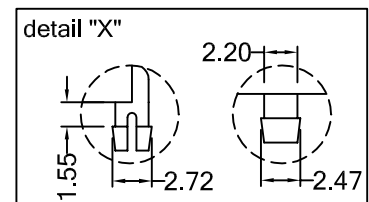
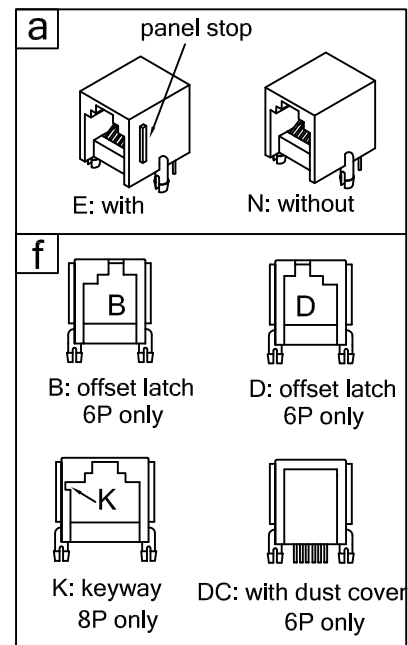
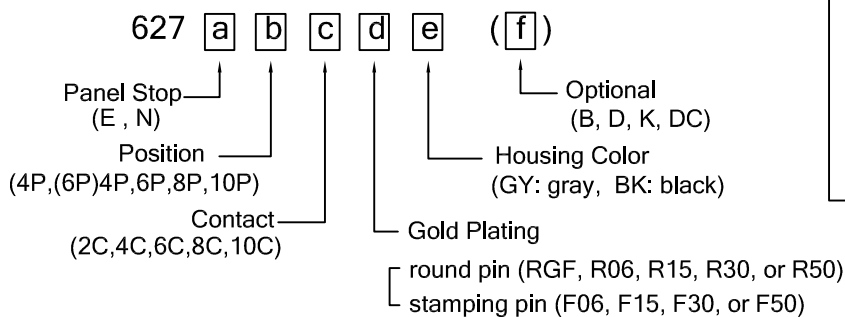
Conductor:

- Round pin: 0.45 mm diameter phosphor bronze,
 □ Plating: Gold plated over nickel.

or

- Stamping pin: 0.35 × 0.42 mm phosphor bronze,
 □ Plating: Gold plated over nickel on contact area,
 Tin plated over nickel on solder area.

ORDERING INFORMATION



巨亮企業有限公司
 CHU LIANG ENTERPRISE CO.,LTD.

TEL: 886-2-22023997 FAX: 886-2-22023867 WEB: <http://www.plug.com.tw>

E-mail: richard@plug.com.tw
peter@plug.com.tw