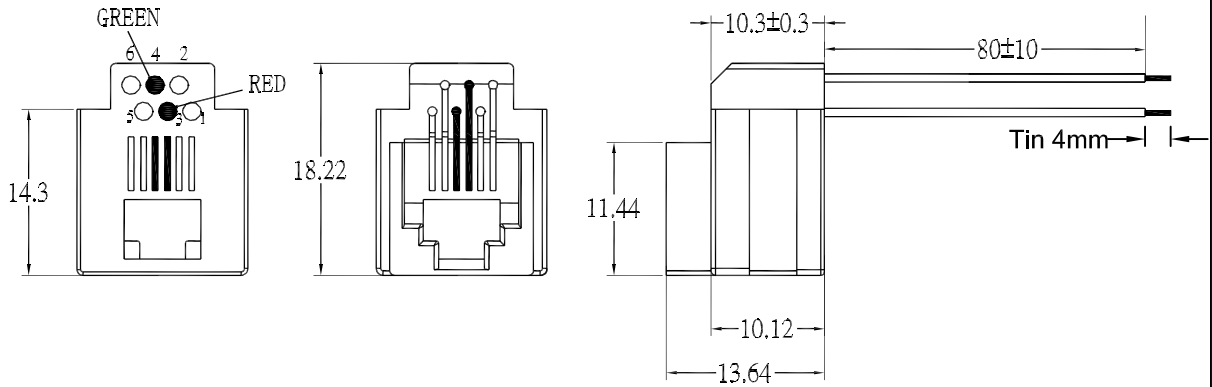


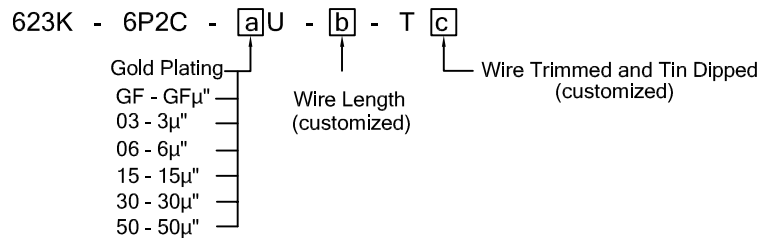
Part Number: 623K



MATERIAL & FINISH

- 1. Wire: 26# 2c 尾端剥鍍
- 2. Housing: ABS, black
- 3. Terminal: 10/12mm, plated with gold

ORDERING INFORMATION



UNIT: mm
TOL.: +/-0.20



巨亮企業有限公司
CHU LIANG ENTERPRISE CO.,LTD.
TEL:886-2-22023997 FAX:886-2-22023867

E-mail: richard@plug.com.tw
peter@plug.com.tw
Web: http://www.plug.com.tw