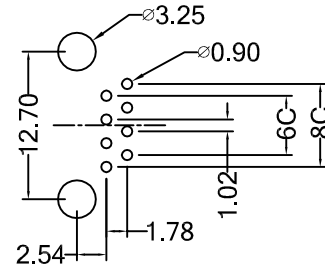
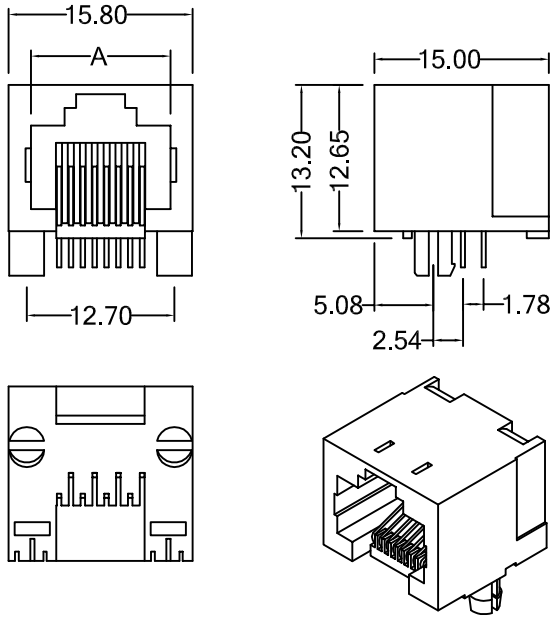


Part Number: 602



PCB LAYOUT / TOP VIEW

MATERIAL & FINISH

Housing: PBT. UL94V-0, black

Conductor:

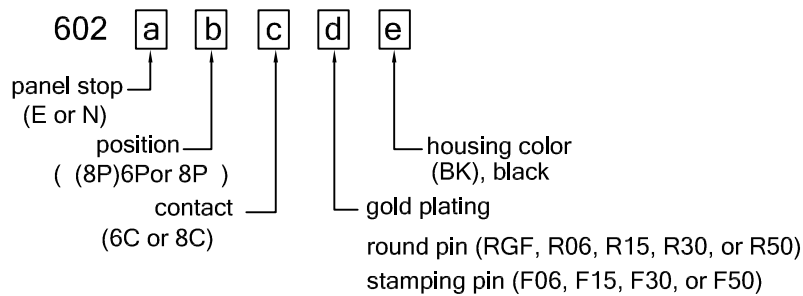
- └ Round pin: 0.45 mm diameter phosphor bronze,
Plating: Gold plated over nickel.

or

- └ Stamping pin: 0.35 × 0.42 mm phosphor bronze,
Plating: Gold plated over nickel on contact area,
Tin plated over nickel on solder area.

position	contact	A
(8P)6P	6C	9.90
8P	8C	12.00

ORDERING INFORMATION



UNIT: m / m
TOL.: +/- 0.15



巨亮企業有限公司
CHU LIANG ENTERPRISE CO.,LTD.

TEL: 886-2-22023997 FAX: 886-2-22023867 WEB: <http://www.plug.com.tw>

E-mail: richard@plug.com.tw
peter@plug.com.tw