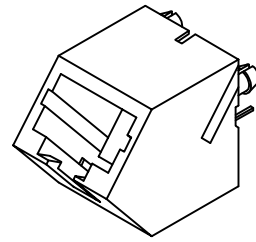
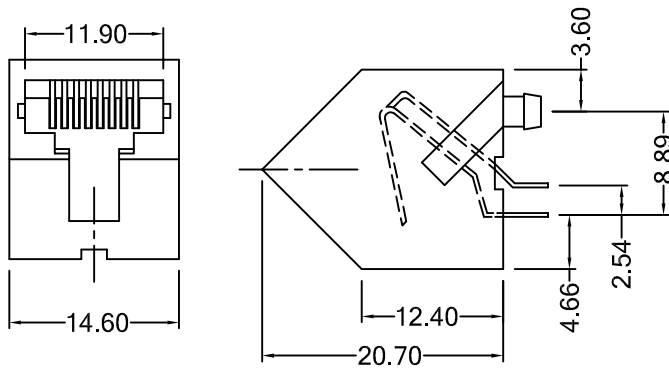
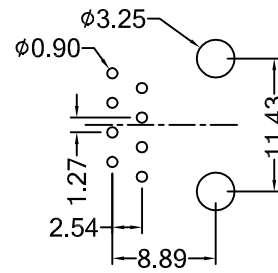


Part Number: 514



MATERIAL & FINISH

Housing & Insert: PBT. UL94V-0, white
Conductor: 0.35 × 0.42 mm phosphor bronze,
Plating: Gold plated over nickel on contact area,
Tin plated over nickel on solder area.



ORDERING INFORMATION

514 N 8P 8C [a] WH

Gold Plating
06 - 6 μ "
15 - 15 μ "
30 - 30 μ "
50 - 50 μ "

PCB LAYOUT / TOP VIEW

Unit: m/m
Tol: ± 0.15 unless otherwise stated



巨亮企業有限公司
CHU LIANG ENTERPRISE CO.,LTD.
TEL: 886-2-22023997 FAX: 886-2-22023867 WEB: <http://www.plug.com.tw>

E-mail: web@plug.com.tw
peter@plug.com.tw