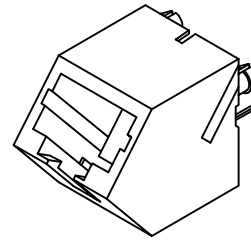
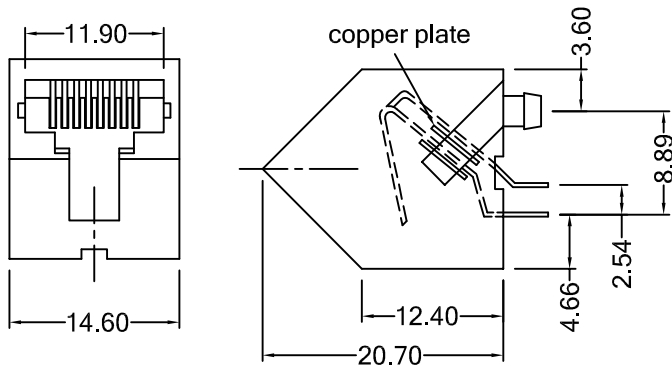
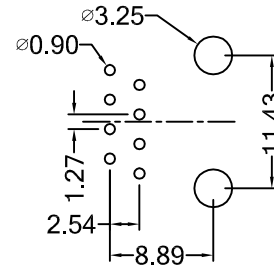


Part Number: 510  
Copper Plate Inside



**MATERIAL & FINISH**

Housing & Insert: PBT. UL94V-0, white  
 Conductor: 0.35 × 0.42 mm phosphor bronze,  
 Plating: Gold plated over nickel on contact area,  
 Tin plated over nickel on solder area.  
 Copper Plate: 0.30 mm brass alloy.



PCB LAYOUT / TOP VIEW

**ORDERING INFORMATION**

510 **a** **b** **c** **d** **e**  
 (N) position (8P)  
 contact (8C)  
 housing color (WH) white  
 gold plating (06 or 50) u"

UNIT: m / m  
TOL.: +/- 0.15