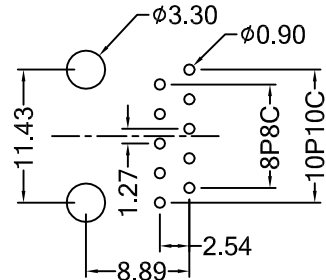
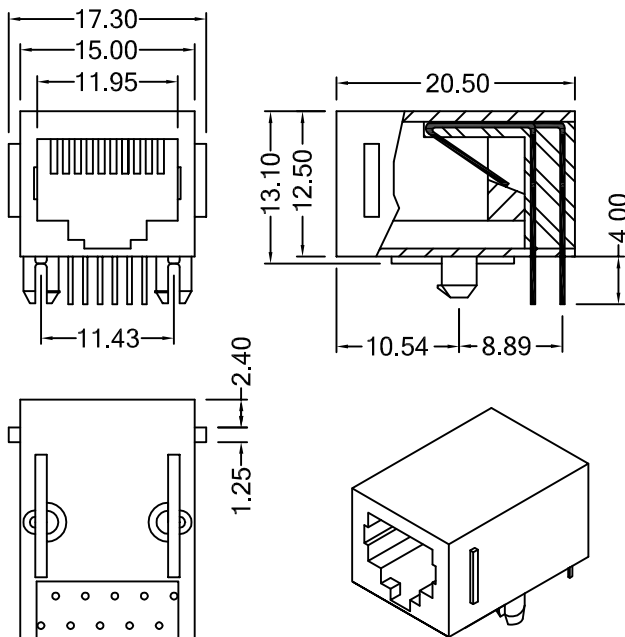


Part Number: 296

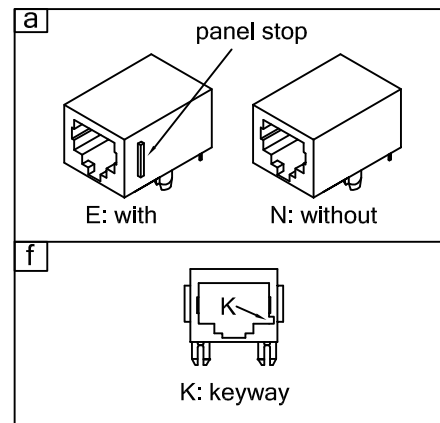
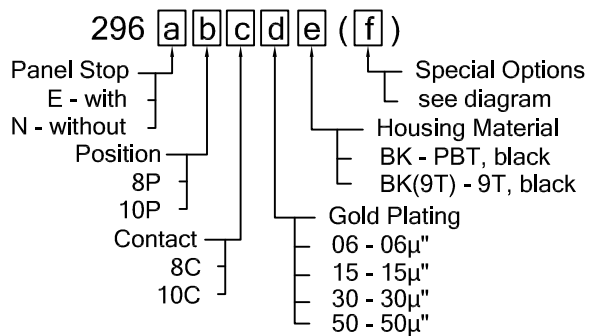


PCB LAYOUT / TOP VIEW

**MATERIAL & FINISH**

Housing & Insert: PBT or Nylon 9T, UL94V-0, black  
 Conductor: 0.35 × 0.42 mm thickness phosphor bronze,  
 Plating: Gold plated over nickel on contact area,  
 Tin plated over nickel on solder area.

**ORDERING INFORMATION**



Unit: m/m  
 Tol:  $\pm 0.20$  unless otherwise stated



巨亮企業有限公司  
 CHU LIANG ENTERPRISE CO.,LTD.  
 TEL: 886-2-22023997 FAX: 886-2-22023867

E-mail: web@plug.com.tw  
 peter@plug.com.tw  
 WEB: http://www.plug.com.tw