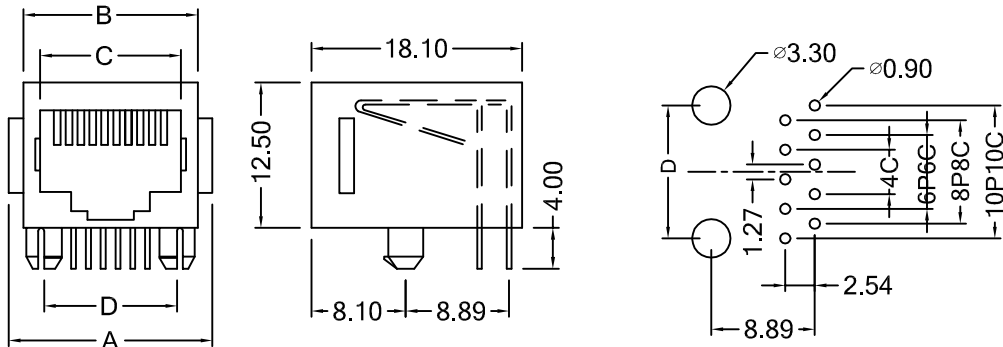
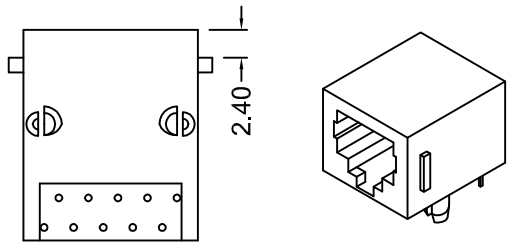


Part Number: 285



PCB LAYOUT / TOP VIEW



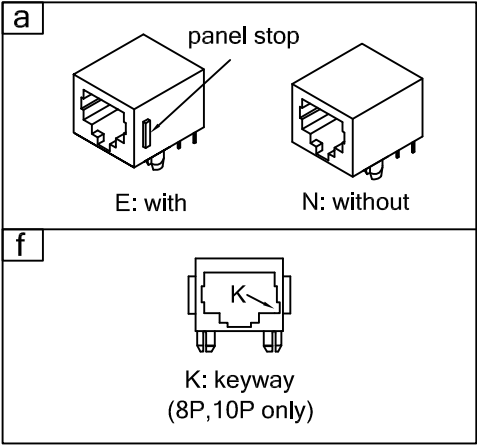
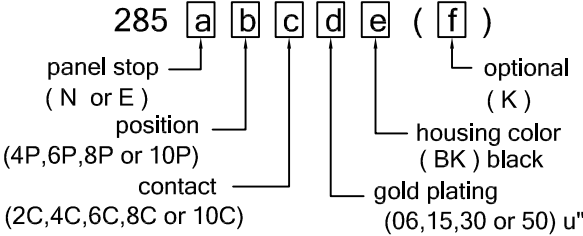
position	contact	A	B	C	D
4P	4C	13.50	11.30	7.80	7.60
6P	2C/4C/6C	15.60	13.20	9.90	10.16
8P	8C	17.50	15.00	12.00	11.43
10P	10C	17.50	15.00	12.00	11.43

UNIT: m / m TOL.: +/- 0.15

MATERIAL & FINISH

Housing & Insert: PBT. UL94V-0, black
 Contact: 0.35 × 0.42 mm thickness phosphor bronze,
 Plating: Gold plated over nickel on contact area,
 Tin plated over nickel on solder area.

ORDERING INFORMATION



巨亮企業有限公司
 CHU LIANG ENTERPRISE CO.,LTD.
 TEL: 886-2-22023997 FAX: 886-2-22023867

E-mail: richard@plug.com.tw
 WEB: http://www.plug.com.tw