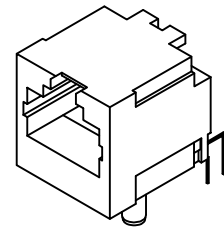
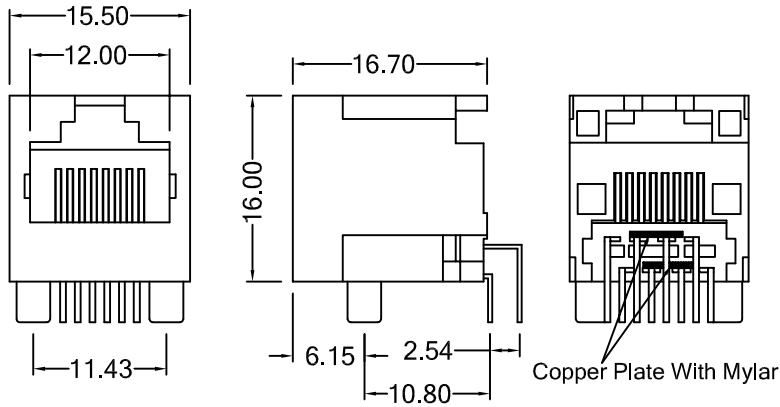


Part Number: 274
Copper Plate with Mylar Inside



MATERIAL & FINISH

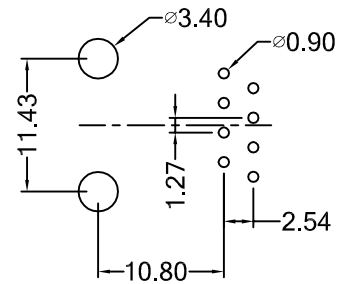
Housing & Insert: PBT, UL94V-0, black

Conductor: 0.35 x 0.42 mm phosphor bronze,
Gold plated over nickel on contact area,
Tin-Lead plated over nickel on solder area.

ORDERING INFORMATION

274 **a** **b** **c** **d** **e**

- a: (N)
- b: number of position (8P)
- c: number of conductor (8C)
- d: gold plating (06,15,30 or 50) u"
- e: housing color, black (BK)



PCB LAYOUT / TOP VIEW

UNIT: m / m
TOL.:+ / - 0.15