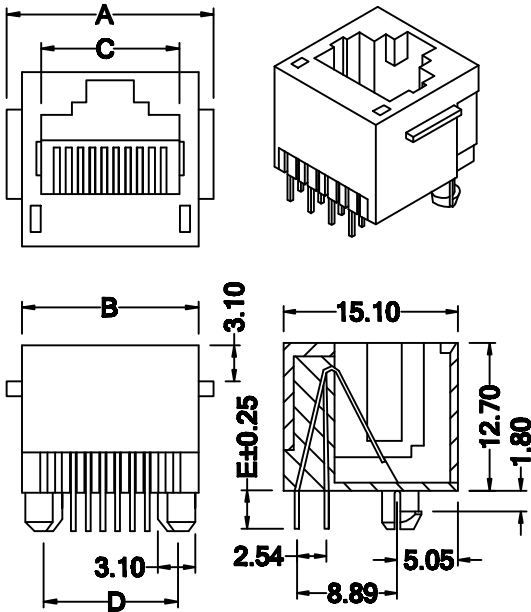
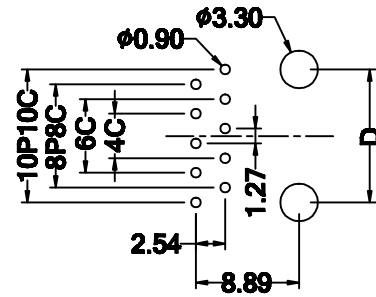


Part Number: 264



position	contact	A	B	C	D	E
4P	4C	13.60	11.20	7.90	7.62	3.70
6P	2C/4C/6C	15.60	13.20	9.90	10.16	3.70
(8P)6P	2C/4C/6C	17.60	15.20	9.90	11.43	3.70
8P	4C/6C/8C	17.60	15.20	11.90	11.43	3.40
10P	10C	17.60	15.20	11.90	11.43	3.40



PCB LAYOUT / TOP VIEW

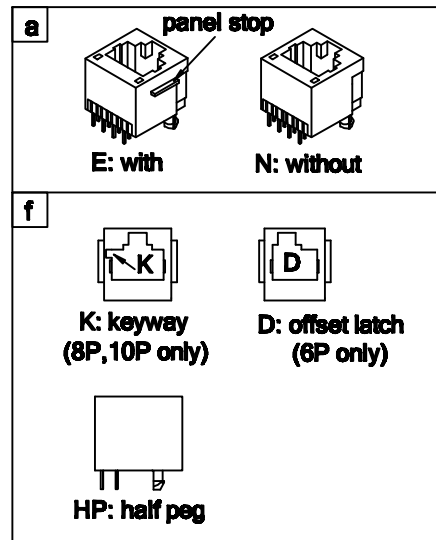
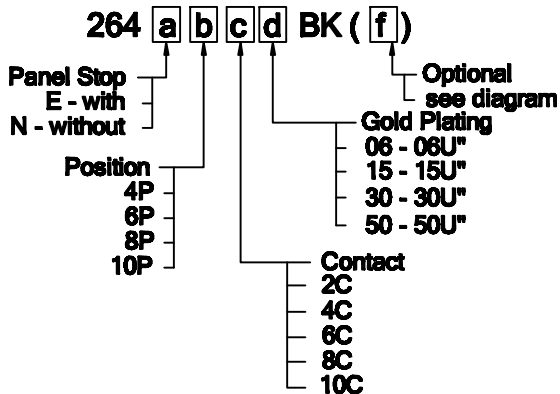
MATERIAL & FINISH

Housing & Insert: PBT. UL94V-0, standard: black
 Conductor: 0.35 × 0.42 mm thickness phosphor bronze,
 Plating: Gold plated over nickel on contact area,
 Tin plated over nickel on solder area.
 Temperature: -40°C to 85°C
 Durability: 750 cycles min.

ELECTRICAL

Voltage Rating: 125 V
 Current Rating: 1.5 A
 Contact Resistance: 30 milliohms max.
 Insulation Resistance: 500 megaohms min.
 Dielectric Withstanding Voltage: 1000 V

ORDERING INFORMATION



Unit: m/m
 Tol: ±0.15 unless otherwise stated



巨亮企業有限公司
 CHU LIANG ENTERPRISE CO.,LTD.
 TEL: 886-2-22023997 FAX: 886-2-22023867 WEB: http://www.plug.com.tw

E-mail: web@plug.com.tw
 peter@plug.com.tw