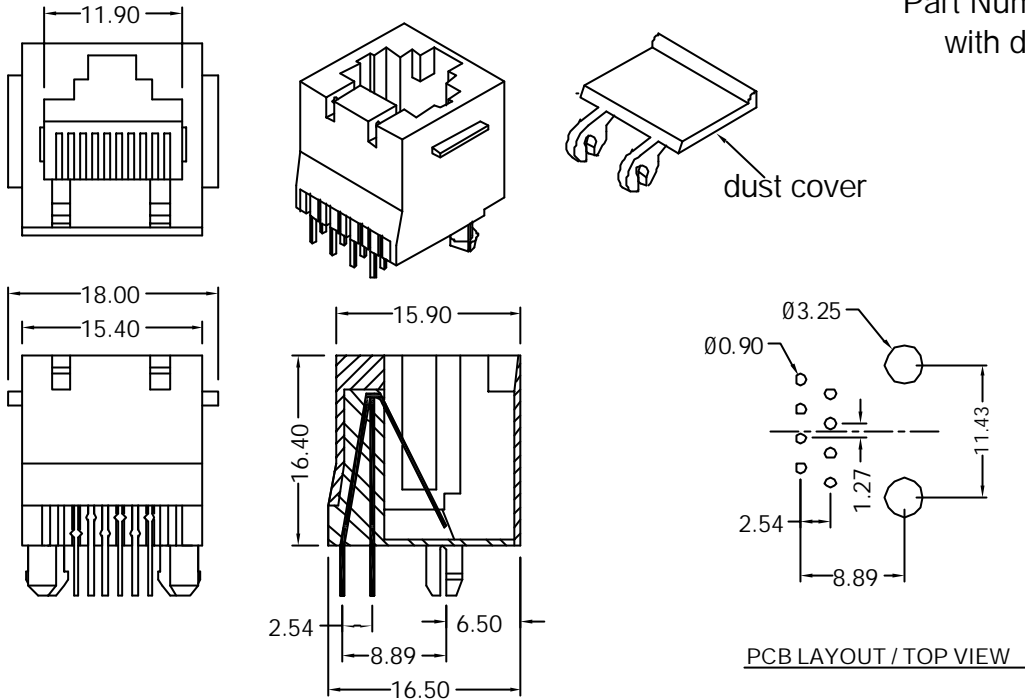


Part Number: 2603
with dust cover



MATERIAL & FINISH

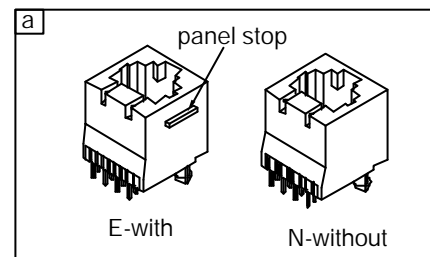
Housing & Insert: PBT. UL94V0, black
 Conductor :0.35 mm thick phosphor bronze,
 Gold plated over nickel on contact area,
 Tin plated over nickel on solder area.
 Dust cover : HDPE #606 , black

ORDERING INFORMATION

2603 **a** **b** **c** **d** **e**

panel stop (E or N) — **a**
 position (8P) — **b**
 contact (8C) — **c**

housing color (BK), black — **d**
 gold plating (06,15,30 or 50) u" — **e**



UNIT: m / m
TOL.: +/- 0.15



巨亮企業有限公司
 CHU LIANG ENTERPRISE CO.,LTD.
 TEL:886-2-22023997 FAX:886-2-22023867

E mail:chuliang@ms8.hinet.net