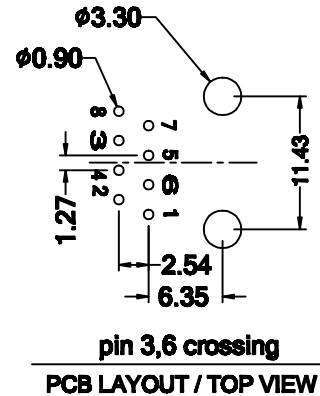
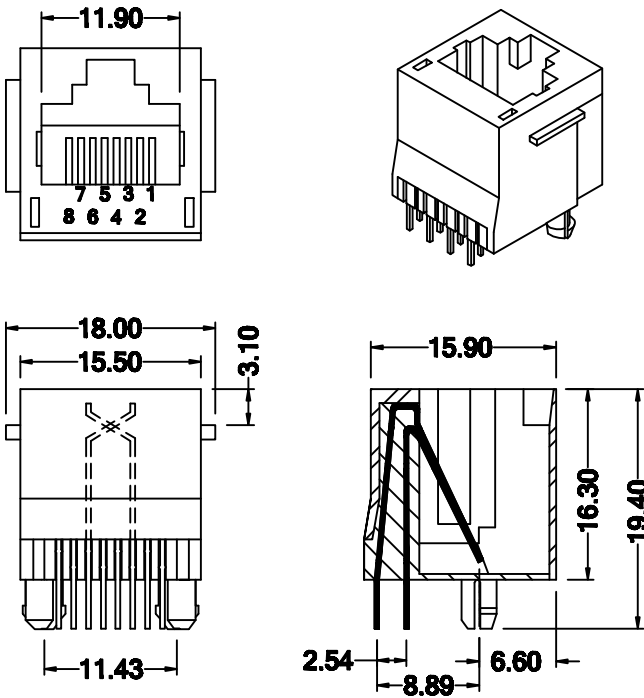


Part Number: 2602

PIN3,6 CROSSING



MATERIAL & FINISH

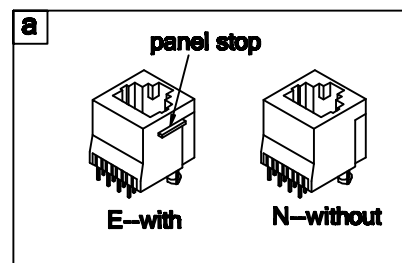
Housing & Insert: PBT. UL94V-0, black
Conductor: 0.35 × 0.42 mm thickness phosphor bronze,
Plating: Gold plated over nickel on contact area,
Tin plated over nickel on solder area.
Temperature: -40°C to 85°C
Durability: 750 cycles min.

ELECTRICAL

Voltage Rating: 125 V
Current Rating: 1.5 A
Contact Resistance: 30 milliohms max.
Insulation Resistance: 500 megohms min.
Dielectric Withstanding Voltage: 1000 V

ORDERING INFORMATION

2602 a 8P 8C b BK
Panel Stop
E - with
N - without
Gold Plating
50 - 50μ"



Unit: mm
Tol: ±0.20 unless otherwise stated



巨亮企業有限公司
CHU LIANG ENTERPRISE CO.,LTD.
TEL: 886-2-22023997 FAX: 886-2-22023867

E-mail: web@plug.com.tw
WEB: http://www.plug.com.tw