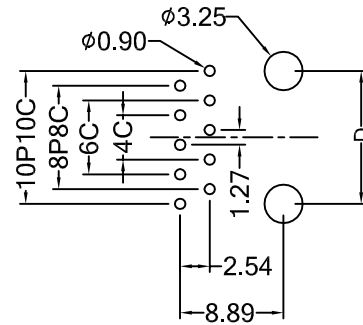
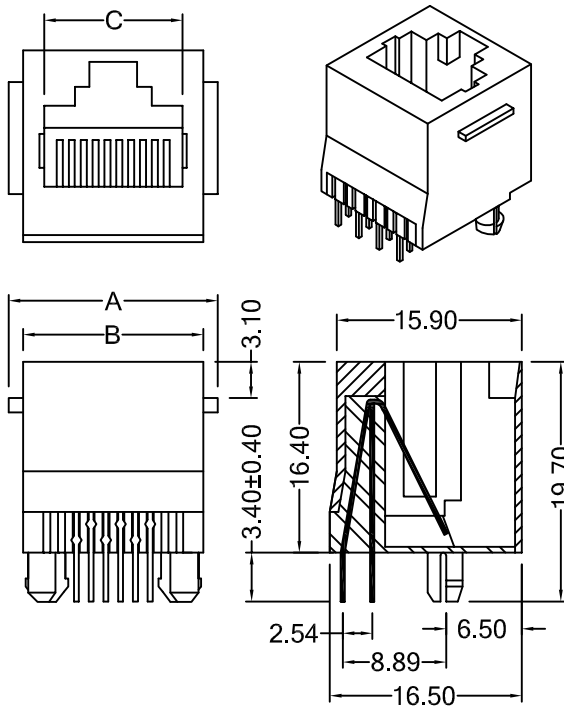


Part Number: 260



PCB LAYOUT / TOP VIEW

position	contact	A	B	C	D
4P	4C	13.80	11.40	7.90	7.62
6P	2C/4C/6C	15.80	13.45	10.00	10.16
(8P)6P	4C/6C	18.00	15.50	10.00	11.43
8P	4C/6C/8C	18.00	15.50	11.90	11.43
10P	10C	18.00	15.50	11.90	11.43

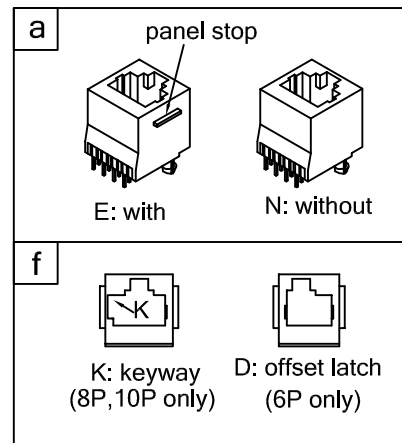
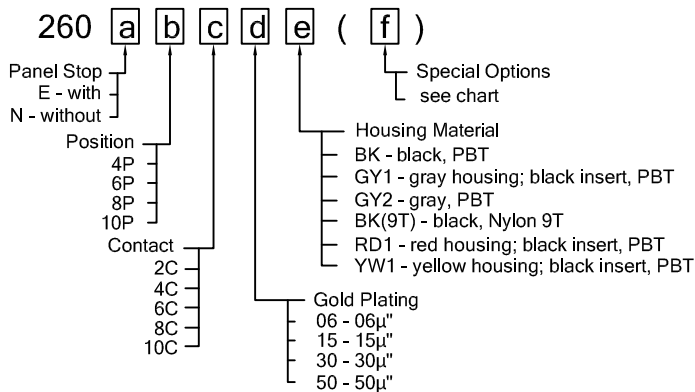
MATERIAL & FINISH

Housing & Insert: PBT or Nylon 9T, UL94V-0
 Conductor: 0.35 × 0.42 mm thickness phosphor bronze,
 Plating: Gold plated over nickel on contact area,
 Tin plated over nickel on solder area.
 Temperature: -40°C to 85°C
 Durability: 750 cycles min.

ELECTRICAL

Voltage Rating: 125 V
 Current Rating: 1.5 A
 Contact Resistance: 30 milliohms max.
 Insulation Resistance: 500 megaohms min.
 Dielectric Withstanding Voltage: 1000 V

ORDERING INFORMATION



Unit: m/m
 Tol: ±0.20 unless otherwise stated



巨亮企業有限公司
 CHU LIANG ENTERPRISE CO.,LTD.
 TEL: 886-2-22023997 FAX: 886-2-22023867

E-mail: web@plug.com.tw
 peter@plug.com.tw
 WEB: http://www.plug.com.tw