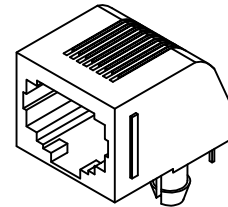
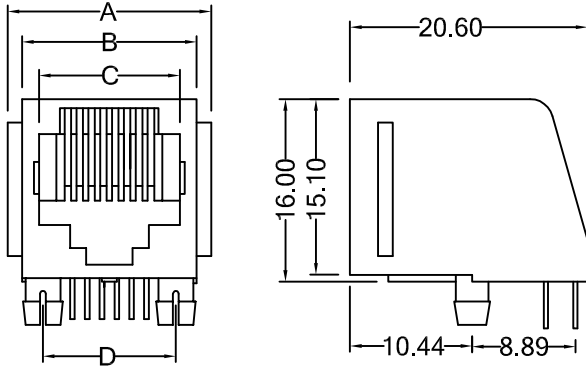
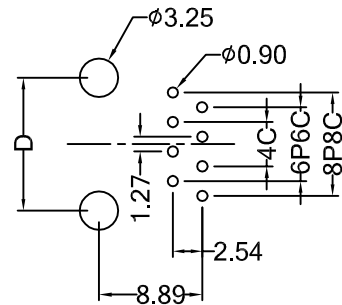


Part Number: 250



position	conductor	A	B	C	D
4P	4C	13.72	11.20	7.90	7.62
6P	2C/4C/6C	15.75	13.21	9.90	10.16
8P	8C	17.78	15.20	11.93	11.43

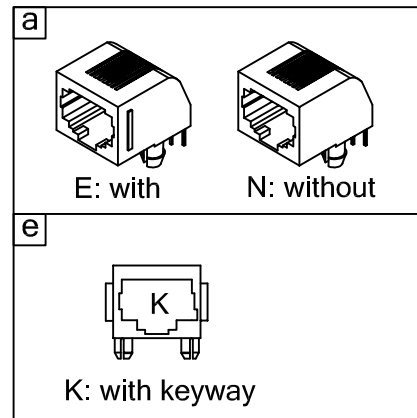
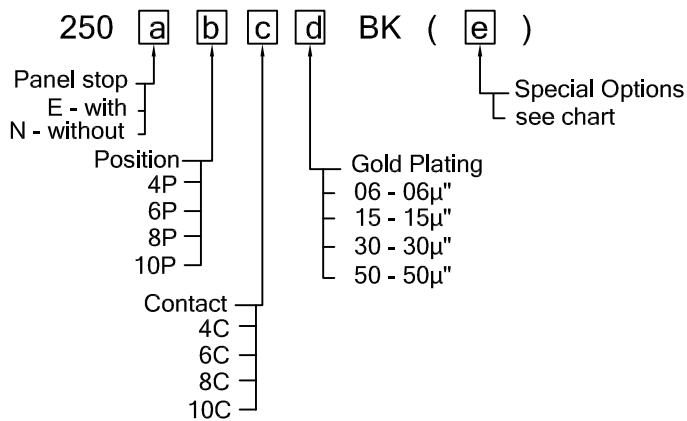


PCB LAYOUT / TOP VIEW

MATERIAL & FINISH

Housing: PBT. UL94V-0, black
 Contact: 0.35 mm thickness phosphor bronze,
 Gold plated over nickel on contact area,
 Tin plated over nickel on solder area.

ORDERING INFORMATION



UNIT: m / m
 TOL.: +/- 0.15



巨亮企業有限公司
 CHU LIANG ENTERPRISE CO.,LTD.
 TEL:886-2-22023997 FAX:886-2-22023867

E-mail: web@plug.com.tw
 peter@plug.com.tw
 Web: http://www.plug.com.tw