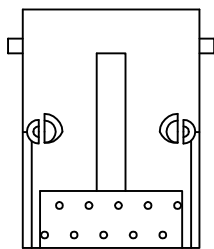
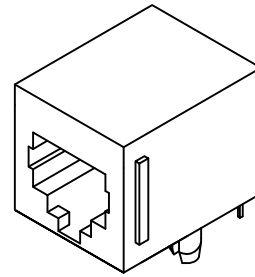
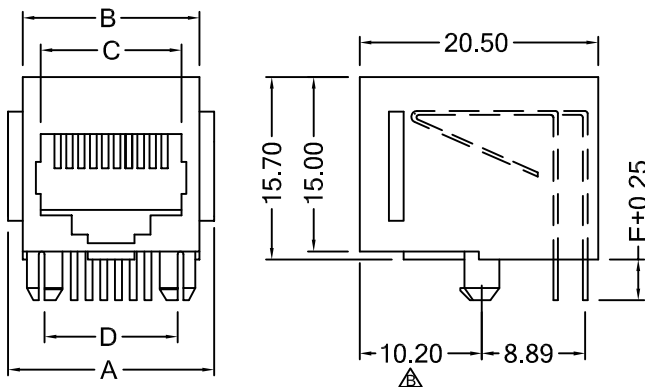


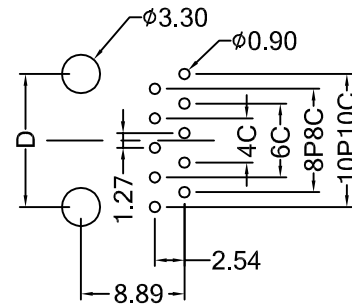
Part Number: 240



position	contact	A	B	C	D	E
4P	4C	13.55	11.15	7.70	7.62	3.50
6P	2C/4C/6C	15.60	13.15	9.90	10.16	3.50
8P	4C/6C/8C	17.60	15.20	11.95	11.43	4.00
10P	10C	17.60	15.20	11.95	11.43	4.00

**MATERIAL & FINISH**

Housing & Insert: PBT, UL94V-0  
 Conductor: 0.35 × 0.42 mm thickness phosphor bronze,  
 Plating: Gold plated over nickel on contact area,  
 Tin plated over nickel on solder area.  
 Temperature: -40°C to 70°C  
 Durability: 750 cycles min.

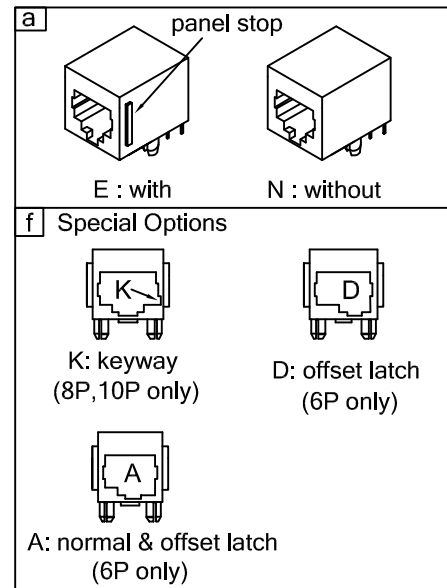
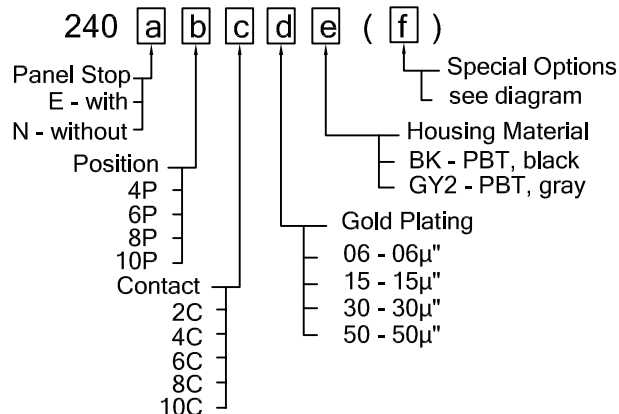


PCB LAYOUT / TOP VIEW

**ELECTRICAL**

Voltage Rating: 125 V  
 Current Rating: 1.5 A  
 Contact Resistance: 30 milliohms max.  
 Insulation Resistance: 500 megohms min.  
 Dielectric Withstanding Voltage: 1000 V

**ORDERING INFORMATION**



B	Dim. 10.60 → 10.20	20171027
VER	Description	Date

Unit: m/m  
 Tol: ±0.15 unless otherwise stated



巨亮企業有限公司  
 CHU LIANG ENTERPRISE CO.,LTD.  
 TEL: 886-2-22023997 FAX: 886-2-22023867

E-mail: web@plug.com.tw  
 peter@plug.com.tw  
 WEB: http://www.plug.com.tw