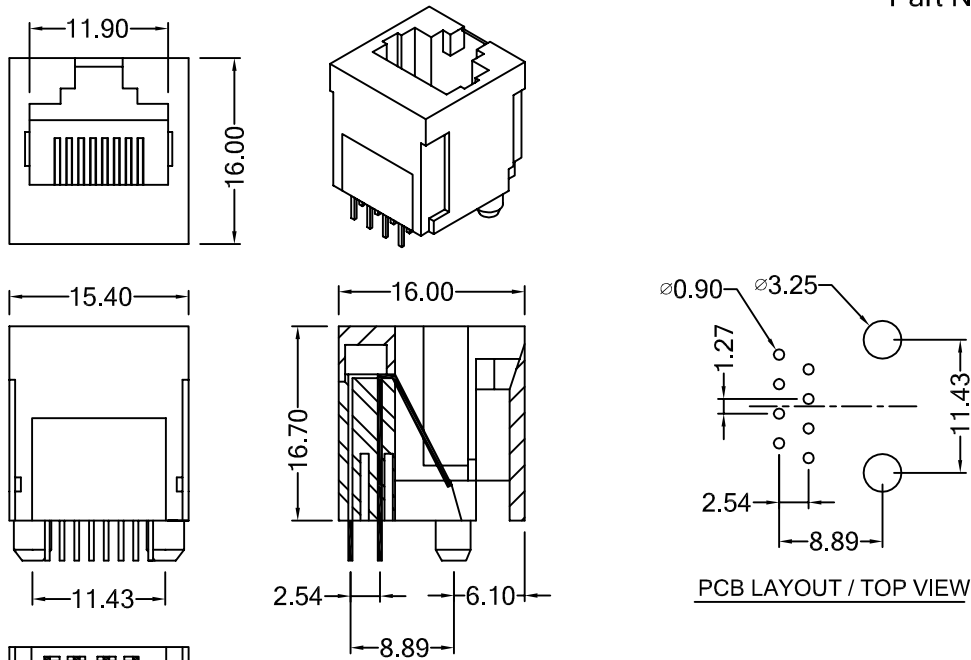


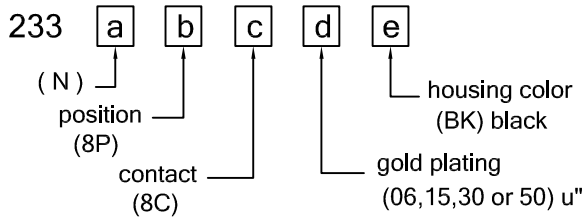
Part Number: 233



**MATERIAL & FINISH**

Housing & Insert: PBT, UL94V-0, black  
Contact: 0.35 mm thickness phosphor bronze,  
Gold plated over nickel on contact area,  
Tin plated over nickel on solder area.

**ORDERING INFORMATION**



UNIT: m / m  
TOL.: +/- 0.15



巨亮企業有限公司  
CHU LIANG ENTERPRISE CO.,LTD.  
TEL:886-2-22023997 FAX:886-2-22023867

E-mail: richard@plug.com.tw  
Web: http://www.plug.com.tw