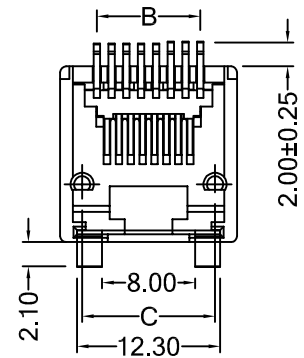
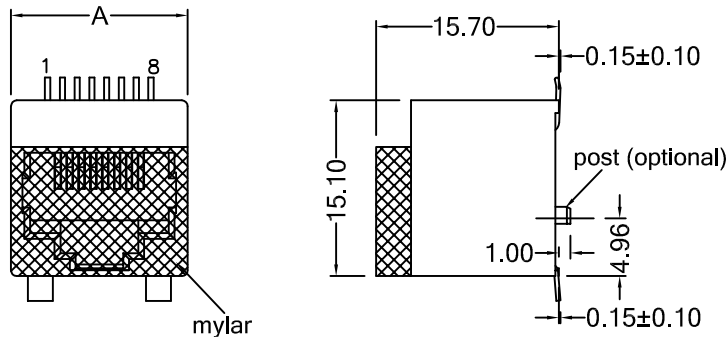


Part Number: 213  
SMT Type



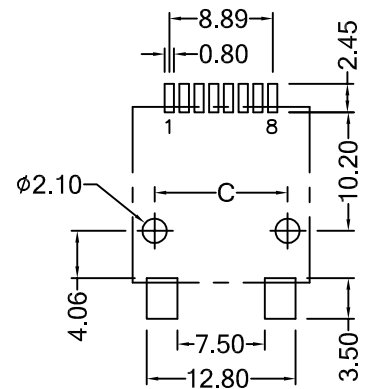
position	contact	A	B	C	D
6P	4C/6C	13.20	6.35	10.16	24
8P	8C	15.20	8.89	11.43	32

**MATERIAL & FINISH**

Housing: High temp. thermoplastic, UL94V-0, black

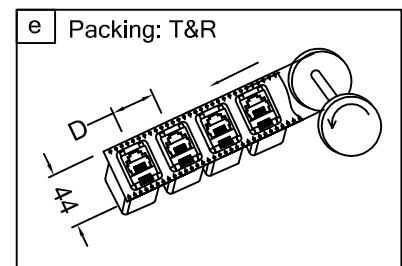
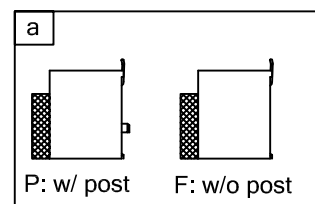
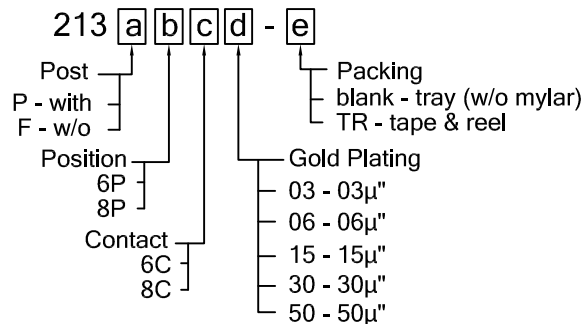
Conductor: Phosphor bronze, t=0.35mm

Plating: Gold plated over nickel



PCB LAYOUT / TOP VIEW

**ORDERING INFORMATION**



Unit: m/m  
Tol: ±0.20 unless otherwise stated



巨亮企業有限公司  
CHU LIANG ENTERPRISE CO.,LTD.  
TEL: 886-2-22023997 FAX: 886-2-22023867

E-mail: web@plug.com.tw  
peter@plug.com.tw  
WEB: http://www.plug.com.tw