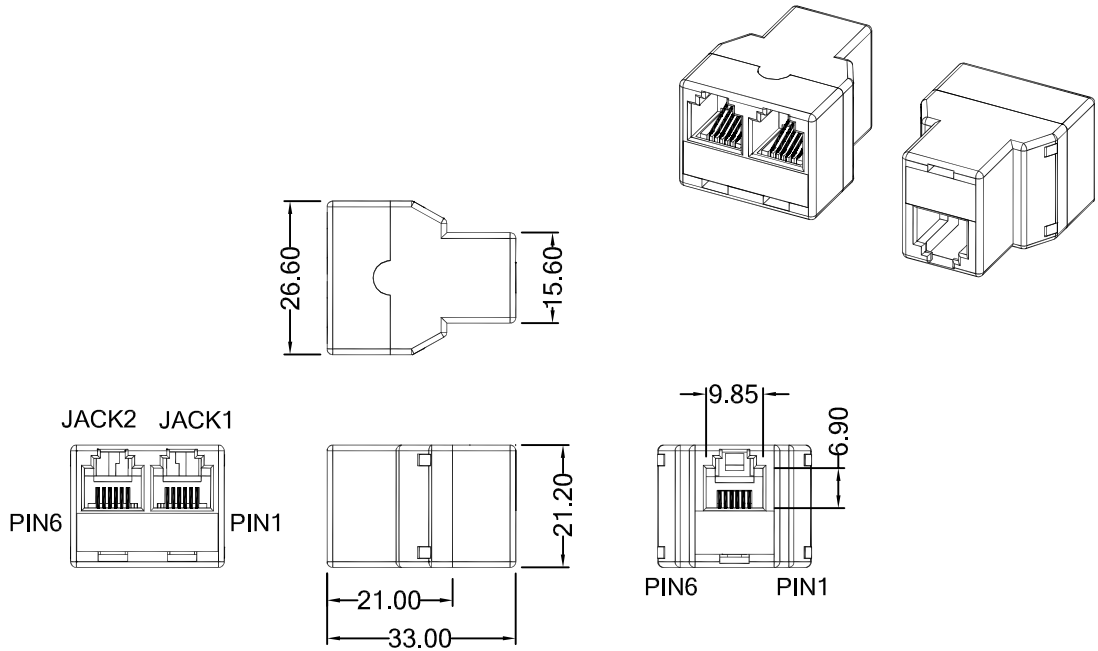


Series Number: CP



**MATERIAL & FINISH**

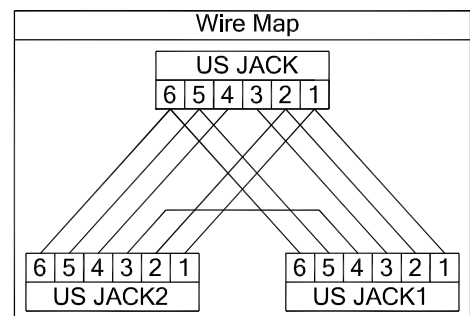
Housing: ABS, color: ivory  
Wire: UL1061, PP, 26AWG  
Contact: Phosphor bronze  
Plating: Gold over nickel.

**ORDERING INFORMATION**

CP **a** 0 - 040 - 002 - **b**

Position  
4 - 6P6C

Gold Plating  
0 - GF $\mu$ "



Unit: m/m  
Tol:  $\pm 0.50$  unless otherwise stated



巨亮企業有限公司  
CHU LIANG ENTERPRISE CO.,LTD.  
TEL: 886-2-22023997 FAX: 886-2-22023867

E-mail: web@plug.com.tw  
peter@plug.com.tw  
WEB: http://www.plug.com.tw