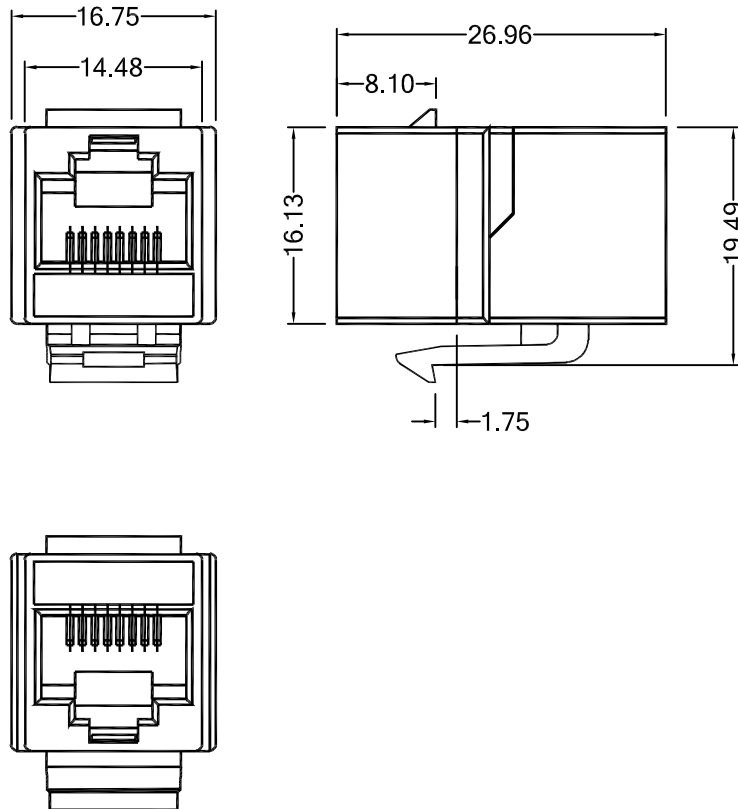


Series Number: CP



**MATERIAL & FINISH**

Housing: ABS, UL94V-0  
Insert: Engineering thermoplastic, UL94V-0  
Contact: Phosphor bronze  $t=0.35\text{mm}$   
Plating: Gold plated over nickel on contact area.

**ELECTRICAL**

Current Rating: 1.5Amp max  
Voltage Rating: 150 Volts  
Contact Resistance: 20m-ohm  
Insulation Resistance: 500m-ohm  
Dielectric Withstanding Voltage: 1000 VAC RMS 60HZ 1MIN

**ORDERING INFORMATION**

CP 2 [a] - 042 - 001 - [b]

Color	Gold Plating
1 - black	1 - 03 $\mu$ "
2 - white	2 - 06 $\mu$ "

Unit: m/m  
Tol:  $\pm 0.25$  unless otherwise stated



巨亮企業有限公司  
CHU LIANG ENTERPRISE CO.,LTD.  
TEL: 886-2-22023997 FAX: 886-2-22023867

E-mail: web@plug.com.tw  
peter@plug.com.tw  
WEB: http://www.plug.com.tw